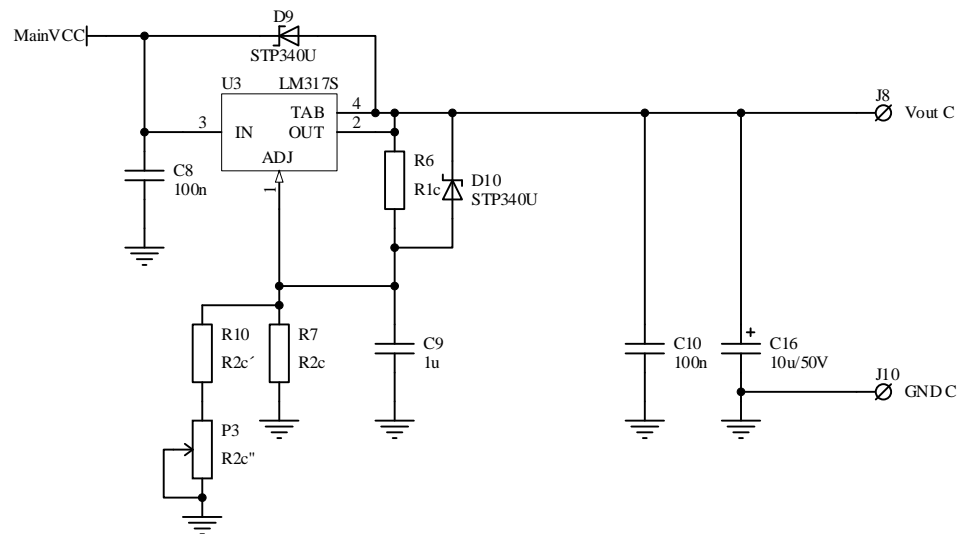
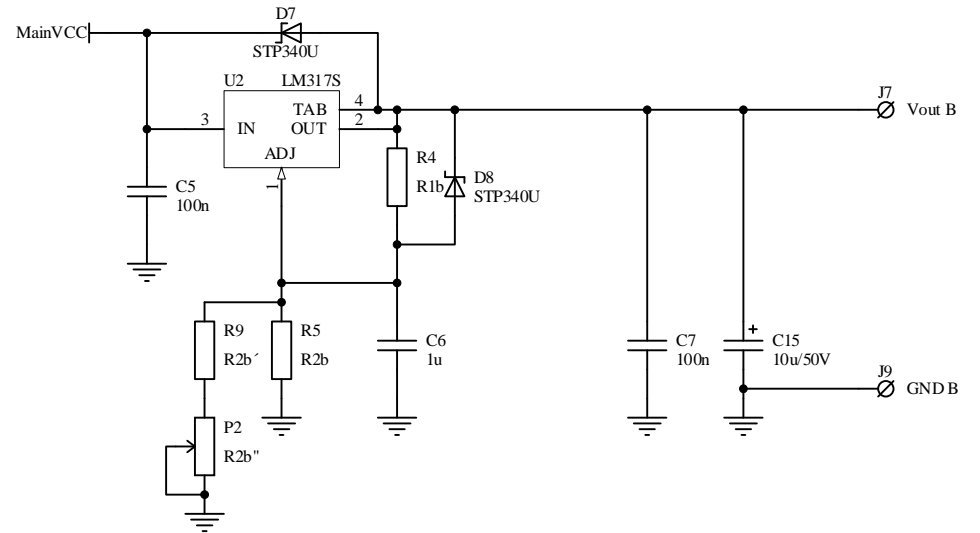
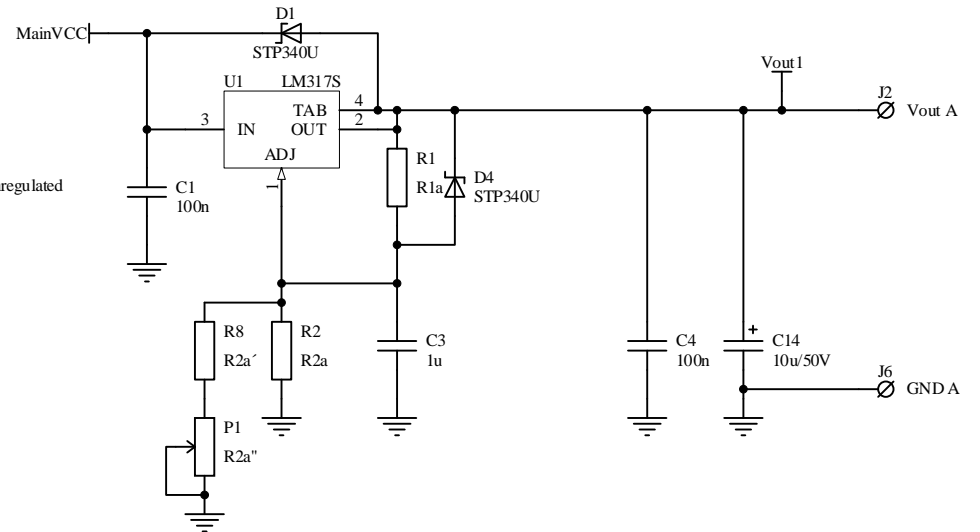


ELFA part numbers:

Connectors for power (two-pole): 48-450-38
 Schottky-diodes, 3A (STP340U): 70-288-48
 Regulator LM317S: 73-266-62
 SMD Elyt 1000uF/50V: 67-223-75
 SMD Elyt 10uF/50V: 67-223-26
 SMD ceramic 1uF (1206): 65-203-16
 SMD ceramic 100nF (1206): 65-776-88

Resistors are all 1206, use suitable values depending on output voltages.



Title		Illuwater Design 2008	
Generic 3-way linear power supply		Peter Czidlina	
Size	Number	Revision	
A4			
Date:	2008-01-20	Sheet of	
File:	Q:\Protel work\..\Uni\versalPower.SchDoc	Drawn By:	